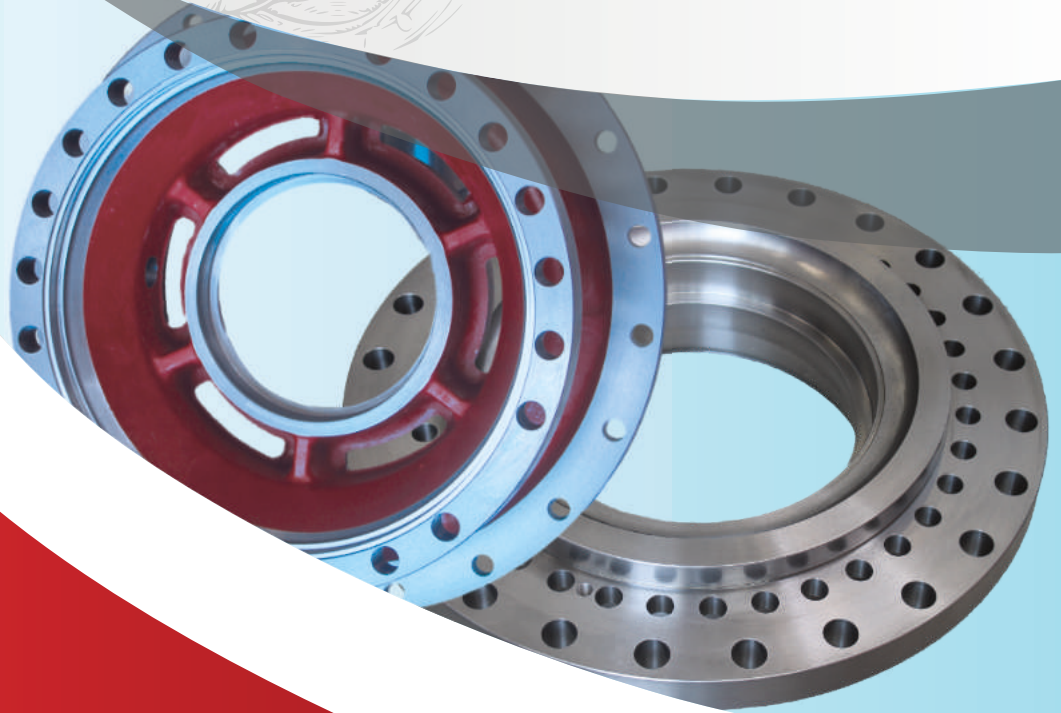


“A TEAM  
LOOKING  
TO THE  
FUTURE



**ar.de.ma.**<sup>®</sup>

QUALITY - INNOVATION - TECHNOLOGY

## A TEAM LOOKING TO THE FUTURE

*"We believe in professionalism, seriousness and competence. Staff value and growth are fundamental to us".*

Denis Trevisan, CEO

For over 30 years AR.DE.MA. SRL has specialized in medium and large **precision mechanical machining**, especially in the machining of components for planetary and special gearboxes, axles and other parts for the agricultural, construction, mining and naval sectors.



**Certified  
Quality**

**100% Made  
in Italy**

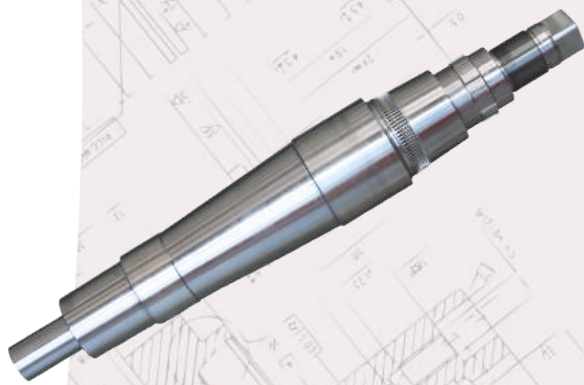
**Industry  
4.0**

**Continuous  
cycle work**

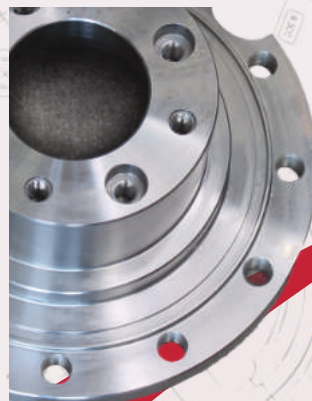
## PROCESSES AND MACHINERY

Our productive area is developed on 2,000 m<sup>2</sup> with the help of a significant fleet of machines.

- ⚙️ Specific **turning** processes
- ⚙️ **Drilling and milling**
- ⚙️ Turning with application of the **“D’Andrea” head.**
- ⚙️ Grinding, heat and surface treatments



**TURNING**



**DRILLING  
MILLING**



**D'ANDREA HEAD**

**3000**

m<sup>2</sup> of company  
area

**2000**

m<sup>2</sup> of  
productive area

**30**

years of  
experience

**1500**

mm of  
machinable Ø



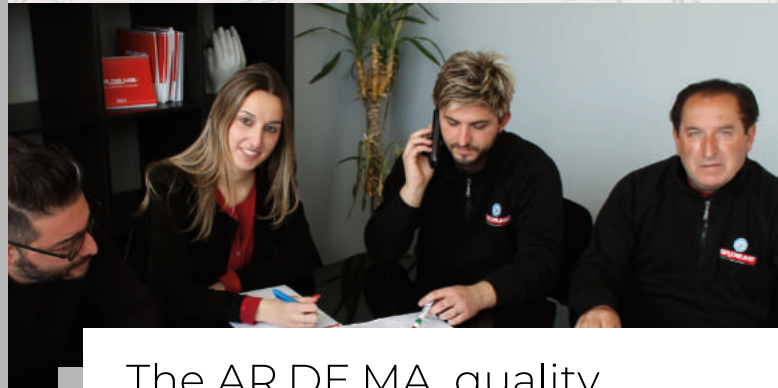
## QUALITY POLICY

The basic principle on which we founded our quality policy is:

**"Aim for the greatest customer and associates satisfaction, while respecting mutual expectations and needs, through the high quality of the products and services offered".**

In order to meet the increasingly high standards imposed by the market, AR.DE.MA. has developed its own **quality system** capable of satisfying the different requirements of each demand.

A metrology room, measuring instruments, computer systems and other cutting-edge technologies allow **the tracking of each processed product**, from the initial to the final stage.



The AR.DE.MA. quality system, in compliance with the ISO9001 standard, found its completion in the transition to the **new ISO 9001:2015 standard** during the year 2018 with the introduction and use of the new **Resolvo** quality management system.

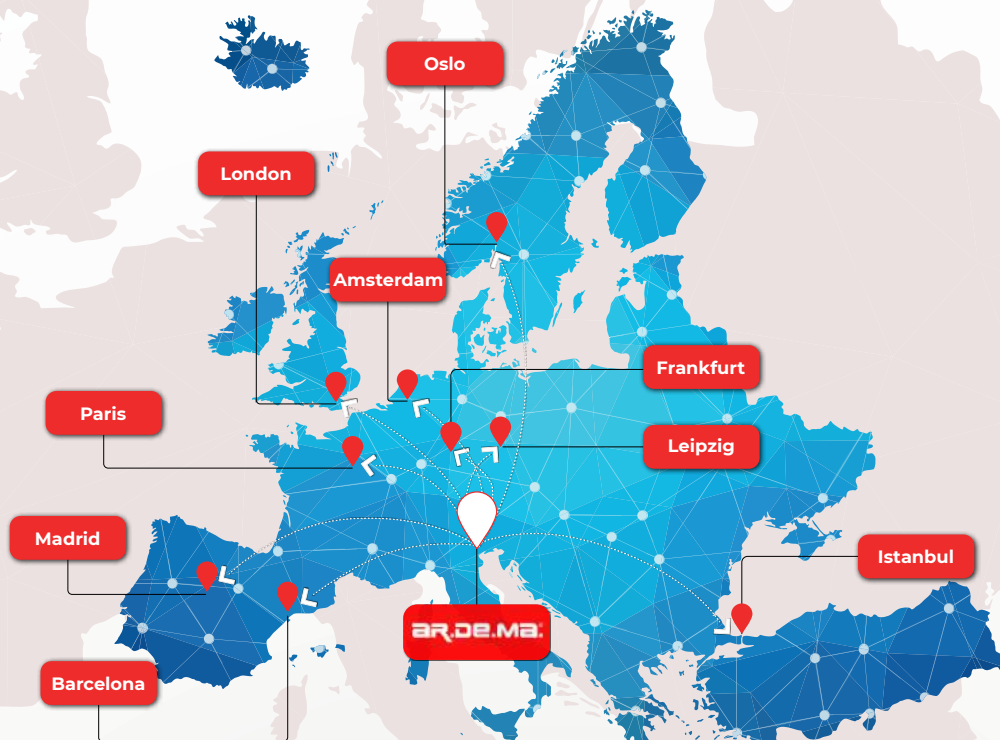




The company can offer a **quality product** turned, drilled, milled, ground and complete of any eventual heat or surface treatments.

The excellence of our **Made in Italy** manufacturing.





## CONTACTS

**Legal Seat** Via Caltana, 120/D Z.I. 35011  
Campodarsego (PD) - IT

**E-Mail** [ardema@ardema.it](mailto:ardema@ardema.it)  
[ar.de.ma.srl@pec.it](mailto:ar.de.ma.srl@pec.it)

**Phone** +39 049 55 66 022

**Fax** +39 049 09 90 218

